



# SPINTLY NUOS

Spintly NUOS the advanced single door controller by Spintly with highest level of security and reliability.

This controller supports up to 2 readers

## Features

- Supports Up to 2 Spintly Smart readers or legacy Wiegand readers
- Tamper proof
- Cloud based access management
- Wall and ceiling mountable
- Encrypted communication between Spintly reader to controller using AES-128
- Local storage of configurations
- 2 variants with different network architecture



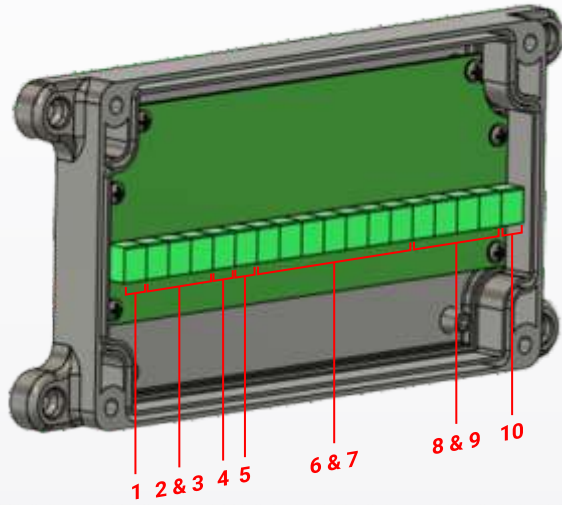
**Model No.: SNU-01X**

## Specifications

Specification	SNU-011	SNU-012
<b>Connectivity</b>	Thread Mesh	WIFI / Ethernet
<b>Input</b>	<b>Power</b> <ul style="list-style-type: none"> <li>• Voltage ratings: 24V</li> </ul> <b>Switch Inputs</b> <ul style="list-style-type: none"> <li>• 2 Door sensor switch</li> <li>• 2 Egress switch</li> </ul> <b>Interfaces</b> <ul style="list-style-type: none"> <li>• 2 Wiegand Input: 0-5V TTL</li> </ul>	<b>Power</b> <ul style="list-style-type: none"> <li>• Voltage ratings: 24V</li> <li>• PoE</li> </ul> <b>Switch Inputs</b> <ul style="list-style-type: none"> <li>• 2 Door sensor switch</li> <li>• 2 Egress switch</li> </ul> <b>Interfaces</b> <ul style="list-style-type: none"> <li>• 2 Wiegand Input: 0-5V TTL</li> </ul>
<b>Output</b>	<b>Ethernet Port</b> <ul style="list-style-type: none"> <li>• 9V DC</li> </ul> <b>Switch Outputs</b> <ul style="list-style-type: none"> <li>• 2 Relay FORM C</li> </ul> <b>Interfaces</b> <ul style="list-style-type: none"> <li>• 2 Rs485</li> </ul> <b>Switch Outputs</b> <ul style="list-style-type: none"> <li>• Magnetic lock power: 12V at 1 amps</li> </ul>	<b>Ethernet Port</b> <ul style="list-style-type: none"> <li>• 9V DC</li> </ul> <b>Switch Outputs</b> <ul style="list-style-type: none"> <li>• 2 Relay FORM C</li> </ul> <b>Interfaces</b> <ul style="list-style-type: none"> <li>• 2 Rs485</li> </ul> <b>Switch Outputs</b> <ul style="list-style-type: none"> <li>• Magnetic lock power: 12V at 1 amps</li> </ul>
<b>Enclosure</b>	<b>Dimensions:</b> 150*150*150 mm <b>Weight:</b> 233g <b>Housing material:</b> ABS	<b>Dimensions:</b> 150*150*150 mm <b>Weight:</b> 233g <b>Housing material:</b> ABS
<b>Environmental</b>	<b>Operating temp:</b> -10 to +60 degree C <b>Operating humidity:</b> 5% to 95% relative, non-condensing	<b>Operating temp:</b> -10 to +60 degree C <b>Operating humidity:</b> 5% to 95% relative, non-condensing
<b>Compliance</b>	FCC certified CE certified RoHS compliant	FCC certified CE certified RoHS compliant
<b>Capacity</b>	<b>Credential</b> <ul style="list-style-type: none"> <li>• Mobile: 50K</li> <li>• NFC: 50K</li> </ul> <b>Logs</b> <ul style="list-style-type: none"> <li>• Online Unlimited</li> <li>• Offline: 40K</li> </ul>	<b>Credential</b> <ul style="list-style-type: none"> <li>• Mobile: 50K</li> <li>• NFC: 50K</li> </ul> <b>Logs</b> <ul style="list-style-type: none"> <li>• Online Unlimited</li> <li>• Offline: 40K</li> </ul>

## Installation

Connection details as below



1	2 pin Input Power connector
2	3 pin Relay connector 1
3	3 pin Relay connector 2
4	2 pin REX connector 1
5	2 pin REX connector 2
6	7 pin legacy reader connector 1
7	7 pin legacy reader connector 2
8	4 pin RS485 connector 1
9	4 pin RS485 connector 2
10	2 pin output Power connector



**Model No.: SNU-01X**