

**SMART ACCESS UNO**  
*User Manual*

## About Spintly Smart Access Uno:

Spintly Smart Access Uno is a smart phone based access control system which enables the user to unlock any of your doors using smartphone or NFC cards.

## Features:

- Proximity based access (smart phone)
- NFC card based access.
- Remote Access (smart phone)
- Easy to install and easy to use
- Multiple layers of security
- Works with various locking systems
- Works with the App in background

## Electrical Specifications:

- Power Source: 12V – 35V DC input
- Power Consumption:
- 2.4 W max at 12V

<u>Contents in the box</u>	<u>Qty</u>
<b>Spintly Smart Access Uno</b>	<b>1</b>
<b>Back plate</b>	<b>1</b>
<b>ISO 6X25 mm Screw</b>	<b>4</b>
<b>M3x8 mm Screw</b>	<b>2</b>
<b>Wall Plugs</b>	<b>4</b>

## Assembly Instructions:

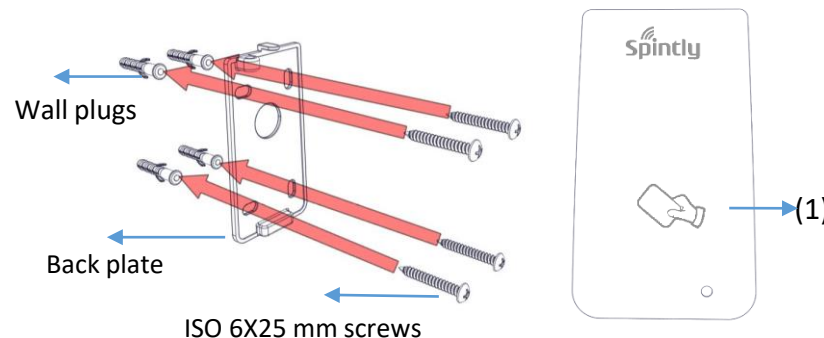


Fig 0.1

- **Mount back plate on the wall with the help of wall plugs and screws**

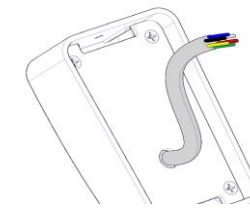


Fig 0.2

- 2) **Wire the Uno as per connection diagram ( page no 2)**

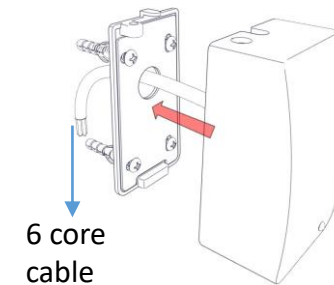


Fig 0.3

- 3) **Place Uno on the back plate**

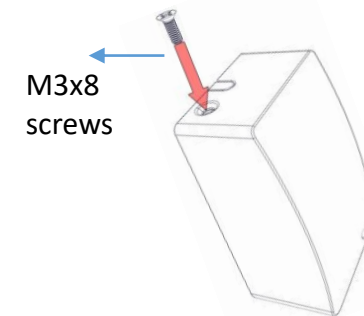


Fig 0.4

- 4) **Use M3 x 8mm screws to secure Uno to the Bracket.**

## Accessories: (Exclusive)

- 12V, 1 Amp Power supply.
- Spintly Product Gateway/Router
- Extra 6 Core cable
- NFC cards
- Electromagnetic Lock

**Please contact your authorized dealer for further assistance**

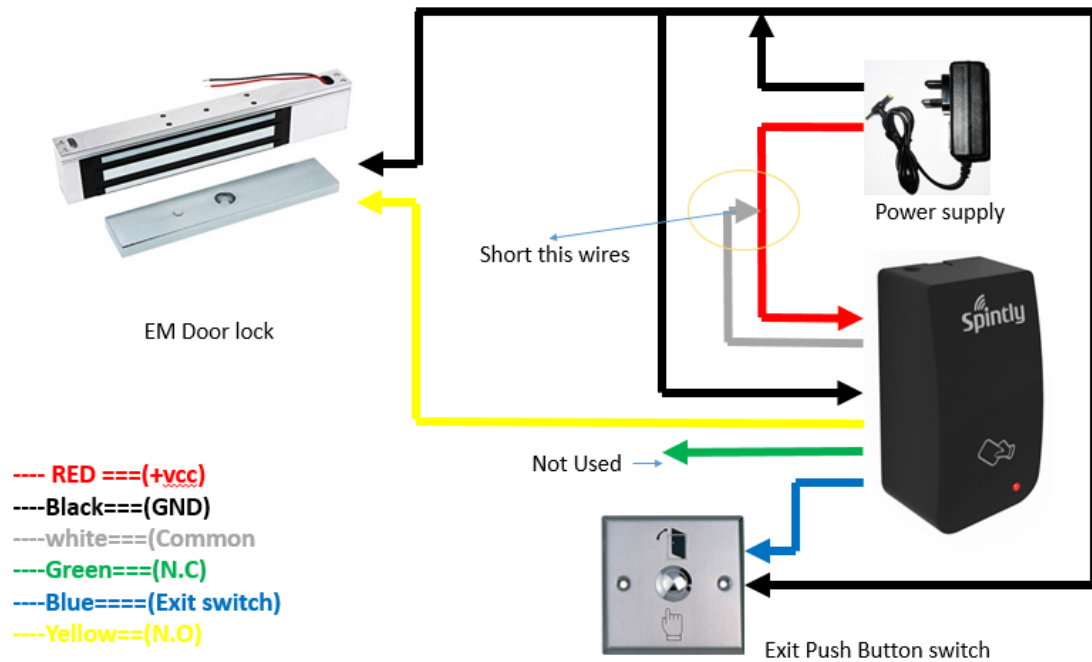


Fig 1.1 Single unit with Exit switch wiring Connection

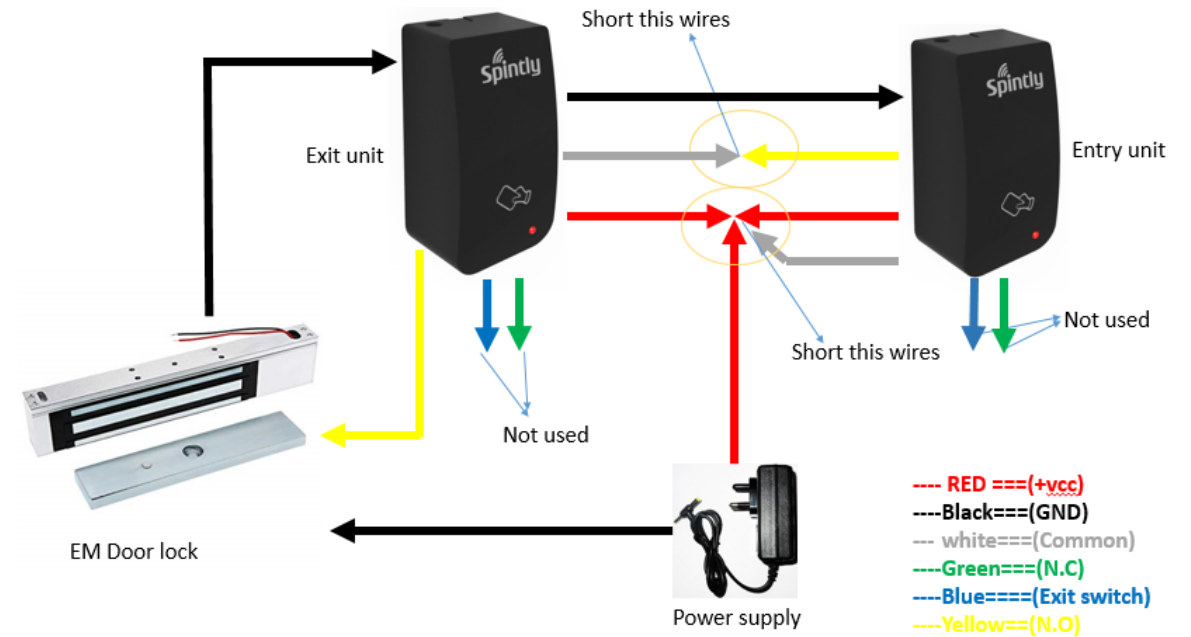


Fig 1.2 Entry and Exit unit wiring connection

**NOTE:**

- The power supply range can be +9V to +30 V VDC.
- N.O, N.C and common are the three terminals of internal relay N.O and N.C
- Relay contacts can be used in different lock configurations.
- Load current above 2A is not recommended .

**Warning !**

**External switch wire (blue) only to be connected to ground through a push button .Voltage above 3.3v on this wire can damage the Spintly smart access UNO permanently.**

**Contact Us:**

[www.spintly.com](http://www.spintly.com)

Address:

G1, Vaz Appts, Fatorda,  
Salcette, Goa 403602

Phone No: +91 8766812888

+91 02071533545

Email ID: info@spintly.com

