

Features

- Identification speed <= 1 sec
- One time enrolment of users shared with all the doors in network
- Native NFC support for NFC access cards
- Card capacity = 3000 users
- Supports 3000 fingerprint users
- Allows Mobile based access

Electrical Specifications

- Voltage: 9V to 30V DC Input
- Current: 250ma max
- Power consumption : 3.0W max at 12V
- Operating temp: -10 to +60 degree C
- 1 NO/NC relay contact
- Exit switch contact

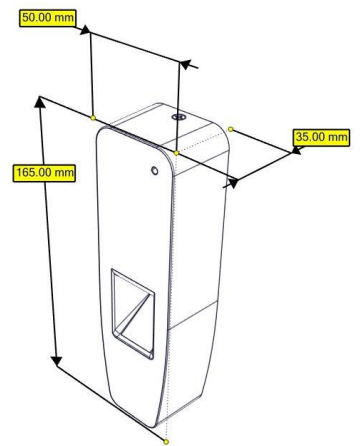
Power source

We recommend using the standard 12V 2 Amp SMPS power supply.

VIN - +12 to 35 V DC
GND (Black) - Negative of the Power Supply

Dimensions

Model No : SF-01



Dimensions: 50mmX35mmX165mm

Download Spintly App now



Contact Us

www.spintly.com
 G1, Vaz Apartments,
 Fatorda, Salcete, Goa-403602
 (O) +918766812888
 Call us for support 020-715-33545
 (E) support@spintly.com
sales@spintly.com

Fingerprint based Access Control System

SMACC-FP

User Manual



About

Smart and convenient fingerprint based access control system

- Wireless unit with no additional wiring
- App based enrollment of users
- Cloud based attendance management

Features

- Identification speed <= 1 sec
- One time enrolment of users shared with all the doors in network
- Native NFC support for NFC access cards
- Card capacity = 3000 users
- Supports 3000 fingerprint users
- Allows Mobile based access

Electrical Specifications

- Voltage: 9V to 30V DC Input
- Current: 250ma max
- Power consumption : 3.0W max at 12V
- Operating temp: -10 to +60 degree C
- 1 NO/NC relay contact
- Exit switch contact

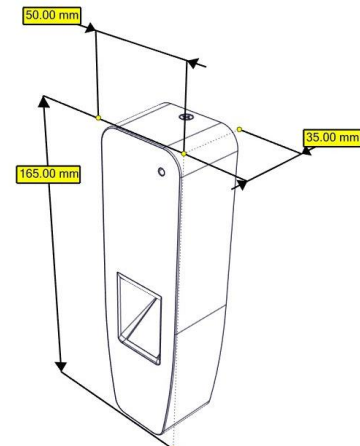
Power source

We recommend using the standard 12V 2 Amp SMPS power supply.

VIN - +12 to 35 V DC
GND (Black) - Negative of the Power Supply

Dimensions

Model No : SF-01



Dimensions: 50mmX35mmX165mm

Download Spintly App now



Contact Us

www.spintly.com
 G1, Vaz Apartments,
 Fatorda, Salcete, Goa-403602
 (O) +918766812888
 Call us for support 020-715-33545
 (E) support@spintly.com
sales@spintly.com

Fingerprint based Access Control System

SMACC-FP

User Manual



About

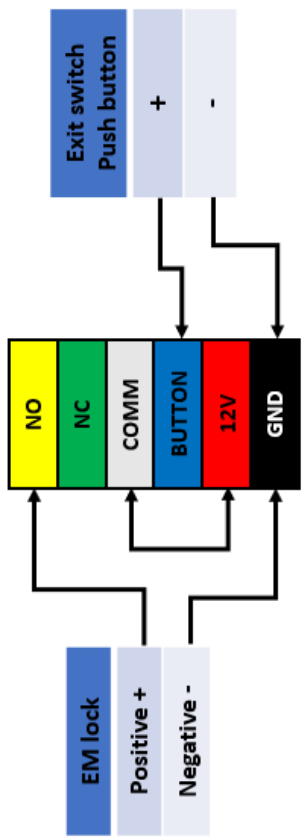
Smart and convenient fingerprint based access control system

- Wireless unit with no additional wiring
- App based enrollment of users
- Cloud based attendance management

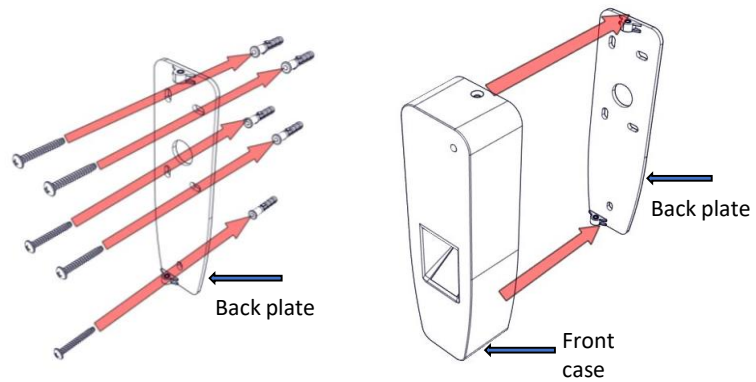
Wiring Instruction

- Red █ VIN
- Black █ GND
- White █ COMMON
- Green █ N.C
- Yellow █ N.O
- Blue █ Ext. Switch Signal

Wiring

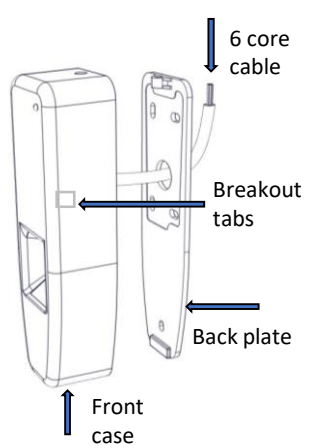


Assembly Instruction

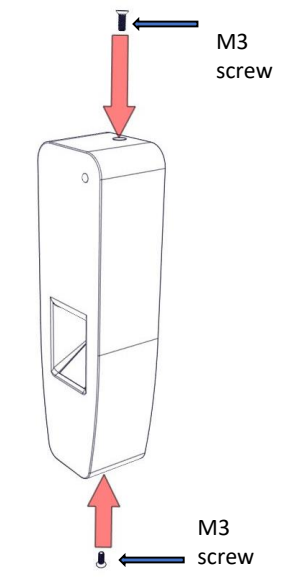


Step 1: Mount back plate on the wall with the help of ISO6X25 mm screws

Step 3: Place the front case of the unit on the back plate



Step 2: Get the 6 core cable out from the hole in the back plate as shown above or from one of the breakout tabs on either the side of the front case. Wire the fingerprint unit as per wiring diagram

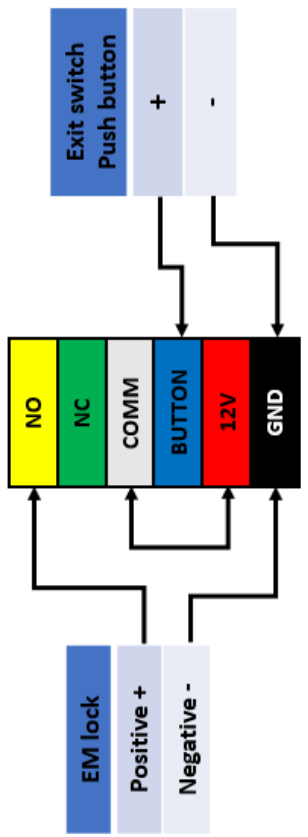


Step 4: Screw the unit to the bracket using M3 screw

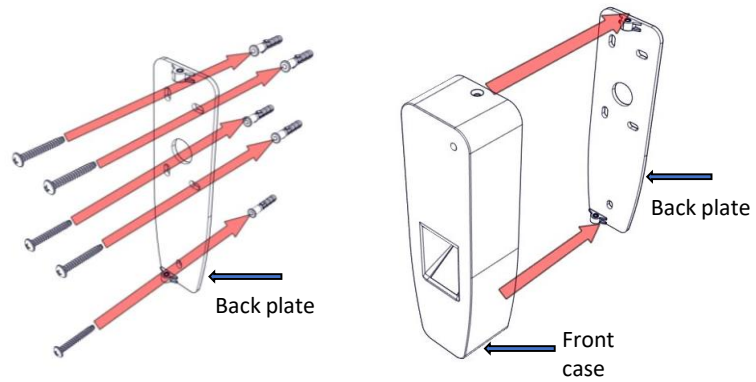
Wiring Instruction

- Red █ VIN
- Black █ GND
- White █ COMMON
- Green █ N.C
- Yellow █ N.O
- Blue █ Ext. Switch Signal

Wiring

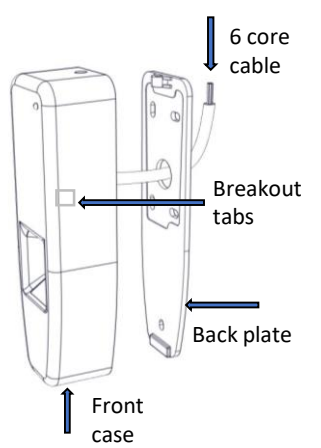


Assembly Instruction

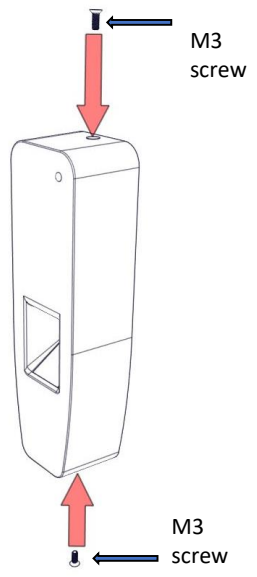


Step 1: Mount back plate on the wall with the help of ISO6X25 mm screws

Step 3: Place the front case of the unit on the back plate



Step 2: Get the 6 core cable out from the hole in the back plate as shown above or from one of the breakout tabs on either the side of the front case. Wire the fingerprint unit as per wiring diagram



Step 4: Screw the unit to the bracket using M3 screw